

TECHNICAL SPECIFICATION

FOR

20' X 8' X 8'6" ISO 1CC TYPE STEEL DRY CARGO CONTAINER

WITH

ALL SPA-H

1 PAIR OF FORKLIFT POCKET
CORRUGATED ROOF
CORRUGATED DOOR
PLYWOOD FLOOR
2 VENTILATORS
DOORS ON BOTH END

FOR

GROUP STANDARD

Note:

- 1) This file is strictly confidential and privileged. It is intended only for the use of the intended recipient.
- 2) If you are not the intended recipient, any part of this file should not be copied, forwarded or used for any purpose or disclosed to any person without the permission of factory.

SCOPE

This specification covers the design, construction, materials, testing, inspection and performance requirements for ISO, ICC type steel dry cargo containers manufactured by factory.

The containers specified herein are manufactured under the quality control of FACTORY within the perimeters as such set forth by the Classification Societies.

CONTENTS

1.	GENERAL-----	3—4
2.	DIMENSIONS AND RATINGS-----	4—5
3.	MATERIAL AND CONSTRUCTION-----	5—9
4.	SURFACE PREPARATION AND PROTECTION-----	9
5.	MARKINGS-----	10—11
6.	TESTING AND INSPECTION-----	12
7.	WARRANTY-----	12

APPENDIX

A.	MATERIAL LIST OF MAIN STEEL PARTS-----	13
B.	TESTING ITEMS, LOADS AND CRITERIA-----	14

Note:

- 1) This file is strictly confidential and privileged. It is intended only for the use of the intended recipient.
- 2) If you are not the intended recipient, any part of this file should not be copied, forwarded or used for any purpose or disclosed to any person without the permission of factory.

1. GENERAL

1.1 Operational Environment

The container is designed and manufactured for the carriage of general cargo by marine, road, and rail. It is designed to maintain its structural and weathertight integrity within a temperature range of -30°C to 80°C.

1.2 Regulations and Standards

The container will conform to and satisfy the following standards.

1.2.1 ISO/TC-104

All to meet series 1 freight containers set forth.

ISO 830 -----Freight containers-Terminology.

ISO 668-----Series 1 freight containers-Classification, external dimensions and ratings.

ISO 6346 -----Freight containers-Coding, identification and marking.

ISO 1161 -----Series 1 freight containers-Corner castings-specification.

ISO 1496-1-----Series 1 freight containers-Specification and testing-
Part 1: General cargo containers

1.2.2 T.I.R. Requirements and Certifications

The container shall comply with the customs convention of containers, 1972 and all subsequent revisions to date and will be identified with appropriate approval plates and markings.

1.2.3 Timber Component Treatment and Certification

All exposed timber components are treated with an Australian government approved insecticide and the container will be such identified with appropriate immunization plate.

1.2.4 U.I.C. Registration

The container will be registered and comply with the International Union of Railways (UIC) code 592 OR.

1.2.5 CSC Requirements

The container will comply with the rules set forth in the International Convention for Safe Containers and will be so identified with a plate.

1.2.6 Classification Society

The container will be certified by Classification Society in design and individually inspected during its production.

1.3 Handling

The container will be constructed to be handled under the following conditions without distortion or effect on its structural integrity:

Note:

- 1) This file is strictly confidential and privileged. It is intended only for the use of the intended recipient.
- 2) If you are not the intended recipient, any part of this file should not be copied, forwarded or used for any purpose or disclosed to any person without the permission of factory.

- A. Lifting full by its top corner castings by means of spreaders
- B. Lifting full by its bottom corner castings by means of fitting at a sling angle of 45 degrees.
- C. Lifting full or empty by forklift at its forklift pocket.

1.4 Transportation

The container will be constructed to be suitable for transportation in normal operating conditions by modes of:

- A. Marine - on deck or in cell guided by vertical or diagonal lashings
- B. Rail - on flat or container car secured at its bottom corner castings
- C. Road - on flat or chassis secured at its bottom corner castings

2. DIMENSIONS AND RATINGS

2.1 Dimension

Title		20'	
External (mm)	Length	6,058	(0, -6)
	Width	2,438	(0, -5)
	Height	2,591	(0, -5)
Internal (mm)	Length	5,844	(0, -6)
	Width	2,352	(0, -5)
	Height	2,393	(0, -5)
Door opening (mm)	Width	2,340	(0, -5)
	Height	2,280	(0, -5)

2.2 Diagonal Difference

Diagonal tolerance of front and rear frames should be less than 10 MM.
 Diagonal tolerance of side and roof panels should be less than 13 MM.

2.3 Internal Capacity

32.9CU.M. (1,162 CU.FT.)

2.4 Ratings

Title	KGS	LBS
Max. Gross Weight	30,480	67,200
Tare Weight (+2%)	2,300	5,070
Max. Payload	28,180	62,130

2.5 Corner Protrusions

- 2.5.1 The faces of the bottom corner castings protrude from lower faces of all transverse members in the base of the container by 17 MM (+0.5, -6.0 MM).
- 2.5.2 The upper faces of top corner castings protrude from upper faces of the highest point of the roof by 6 MM.
- 2.5.3 The outer side faces of corner castings protrude from outside faces of corner posts by 3 MM.

Note:

- 1) This file is strictly confidential and privileged. It is intended only for the use of the intended recipient.
- 2) If you are not the intended recipient, any part of this file should not be copied, forwarded or used for any purpose or disclosed to any person without the permission of factory.

2.5.4 Under 1.8 x max. gross weight no part of the base will protrude more than 6 MM below the bottom corner castings.

3. MATERIAL AND CONSTRUCTION

3.1 General

The container is mainly constructed with steel frames, corrugated panels welded by CO₂ shielded Arc welding. All welds of the exterior including the base frames are continuous with full penetration. Wooden floor is fixed to the cross members by self-tapping screws. All crevices will be sealed with elastic sealing compound.

3.2 Materials

The main constructional materials are shown in Appendix A of the specification.

3.3 Corner Castings

All corner castings used will comply with ISO/1161 standard.

3.4 Base Structure

The base structure will be composed of two (2) bottom side rails, a number of crossmembers and one pair of forklift pockets, which are welded together as a sub-assembly.

3.4.1 Bottom Side Rail

Each bottom side rail is built of a steel pressing made in one piece. The bottom flange face outwards so as to be easily repaired and hard to corrode.

Qty. : 2 pcs
Shape : Double "Z" section
Dimension : 155 x 52 x 30 x 28 x 4.5mm

3.4.2 Crossmember

The crossmembers are composed of a number of small pressed channel section and some large one located beneath each board joint of the plywood, which are placed at certain center distance. There are 3 pcs of t4.0 stiffeners in each joint member.

Shape : "C" section
Small one : 122 x 45 x 45 x 4.0 mm, Qty. : 17 pcs.
Large one : 122 x 75 x 45 x 4.5 mm, Qty. : 2 pcs.
Stiffener : 4.0 mm thick, Qty. : 6 pcs.

3.4.3 Forklift Pocket

There will be a pair of forklift pocket in every container. Each forklift pocket consists of 2 pcs of crossmembers, one piece of top plate and 2 pcs of bottom plates. Each forklift pocket is designed according to ISO standard :

Top plate : 3 mm thick, Qty. : one piece.
Bottom plate : 6.0 mm thick, Qty. : 2 pcs.

Note:

- 1) This file is strictly confidential and privileged. It is intended only for the use of the intended recipient.
- 2) If you are not the intended recipient, any part of this file should not be copied, forwarded or used for any purpose or disclosed to any person without the permission of factory.

3.4.4 Floor Central Rail

A primed 4.0 x 50 mm flat bar loosely placed on top of the crossmembers to support the floorboards at the center.

3.4.5 B.S.R.Corner Stiffener

Four corner stiffener, t4.0 x 200 mm thick protection plates will be welded from side rail to corner castings.

3.5 Front End

Same as the rear end .

3.6 The Rear Frame

The rear frame consists of one door header, one door sill, four corner castings and two rear corner posts.

3.6.1 Rear Corner Post

Each corner post is constructed from an inner part of channel shaped hot-rolled section steel and an outer part of steel pressing, welded together to form a hollow section to ensure the door opening and suitable strength against the stacking and racking force. Four (4) sets of hinge pin lugs are welded to each outer part of the corner post.

Inner part : 113 x 40 x 12 mm

Outer part : 6.0 mm thick

3.6.2 Door Header

The door header is constructed from a lower part of a "U" shaped steel pressing with internal stiffener ribs at the location of the cam keeper's backside and an upper part of steel pressing rear header plate, they are welded together to form a box section to provide a high rigidity.

Door header lower : 4.0 mm thick

Door header upper : 3.0 mm thick

Door header stiffener : 4.0 mm thick, Qty. : 4 pcs.

3.6.3 Door Sill

The door sill is built of special channel section steel pressing with internal ribs as stiffeners at the backside of each cam keeper. The upper face of the sill has a slope for better drainage and the highest part is on the same level to the upper face of the wooden floor. Two channel section steel recesses are provided adjacent to the bottom fitting to prevent damage due to any twistlock misalignment.

Door sill : 4.5 mm thick, Slope : 10 mm

Door sill stiffener : 4.0 mm thick, Qty. : 4 pcs.

Rear cone damage protector : 200 x 75 x 9.0 mm

Note:

- 1) This file is strictly confidential and privileged. It is intended only for the use of the intended recipient.
- 2) If you are not the intended recipient, any part of this file should not be copied, forwarded or used for any purpose or disclosed to any person without the permission of factory.

3.7 Side Wall Assembly

The side walls will be continuously welded to each other and to the side rails and corner posts. Welding penetration side panels to rails should be min.75%.

3.7.1 Top Side Rails

Each top side rail is used a square steel pipe. Rail: 60 x 60 x 3.0 mm

3.7.2 Side Walls

Each side wall will be composed of a number of sheets for the intermediate (inner) parts and outer panels at each end of side wall, fully vertically corrugated into trapezium section, butt welded together to form one panel by automatic welding.

Trapezium – Depth : 36 mm
 Outerface : 72 mm
 Interface : 70 mm
 Slope : 68 mm
 Pitch : 278 mm

- a) Inner panel : 1.6 mm thick, Qty. : 3 pcs / each side.
- b) Outer panel : 2.0 mm thick, Qty. : 2 pcs / each side.

3.8 Roof

The roof will be constructed by several die-stamp corrugated steel sheets with a certain upwards camber at the center of each trough and corrugation, these sheets are butt jointed together to form one panel by automatic welding.

Corrugation shape – Depth : 20 mm
 Outerface : 91 mm
 Interface : 91 mm
 Slope : 13.5 mm
 Pitch : 209 mm
Camber upwards : 5 mm
Panel thickness : 2.0 mm
Sheet Qty. : 5 pcs

3.8.1 Roof Reinforcement Plate

Four reinforcement plates shall be mounted around the four corner castings.

dimension : 300 x 270 x 3.0 mm

3.9 Door

The door consists of two door leaves, each leaf with two locking devices, four hinges, seal gaskets and door holders.

3.9.1 Door Leaf

Each leaf consists of door panel, steel door frame which consists of vertical (inner & outer) and horizontal (upper & lower) rails. They are welded together to form the rectangular door leave.

Note:

- 1) This file is strictly confidential and privileged. It is intended only for the use of the intended recipient.
- 2) If you are not the intended recipient, any part of this file should not be copied, forwarded or used for any purpose or disclosed to any person without the permission of factory.

3.9.1.1 Door Panel : With 5 corrugations.

Panel thickness : 2.0 mm
Depth : 36 mm
Interface : 70 mm
Slope : 68 mm

- 3.9.1.2 Door Frame : a) Door vertical rail : 100 x 50 x 3.2 mm (inner & outer)
b) Door horizontal rail : Channel section, 150 x 50 x 3.0 mm.

3.9.1.3 Each door is capable of swinging 270 degrees when fully opened and can be secured in that position by means of door holder.

3.9.1.4 The right door is so designed that the right door must be opened before the left in compliance with T.I.R. requirements.

3.9.2 Door Gasket

The door gasket is of extruded EPDM with a double lip to ensure water tightness. The upper and side gaskets are of 'J' type configuration. Bottom is of a 'C' type configuration. It is attached with sealant and secured with ABS retainers by stainless steel rivets (stainless rivet and steel shaft). The door gasket middle upper corner is overlap to left door area with wider outer lip.

3.9.3 Hinges and Pins

Four forged hinges, providing with bushed hole, are welded to each door leaf. Each door is installed by hinge pins, washers and bushings.

Washer - Stainless steel, under the bottom of hinge
Bushing - Self-lubricating synthetic
Pin - Stainless steel

3.9.4 Locking Devices

Galvanized locking devices are secured to the door with nuts and bolts and has nylon bushings on the brackets. The locking devices will be hot dip galvanized to 75 micron and will be installed after the container is painted.

3.9.4 Door Holder and Receptacle

A door holder per door, made of mixed nylon rope, is tied to the center-side locking rod and the receptacle (hook type) is welded to each bottom side rail to retain the door at the open position.

3.10 Floor

3.10.1 The Floor Boards

The floor consists of plywood. The floor board used will be certified to meet the requirements of Australian Commonwealth Dept. of Health (Plant Quarantine Treatment Schedule) for Timber Components (T.C.T.). The floor dimension should according to the IICL dimension standard. The floor thickness is 28 mm.

Note:

- 1) This file is strictly confidential and privileged. It is intended only for the use of the intended recipient.
- 2) If you are not the intended recipient, any part of this file should not be copied, forwarded or used for any purpose or disclosed to any person without the permission of factory.

3.10.2 Arrangement and Fixing

The floor boards are longitudinally laid on the crossmember with a free floating flat steel at the center . The plywood boards are tightly secured to each crossmember with countersunk self-tapping electro-zinc plated steel screws. These heads of the floor screws are countersunk below the level of the upper surface of the floor by 2.0 mm to 2.5 mm.

Screws : M8 x 45 x ø16(Head) mm
Screws' Qty. : 5 pcs / end row and joint , 4 pcs / other

3.10.3 The plywood used will be a minimum of 19 plies and will be:

- A. Hardwood of a specific gravity range of 0.7-0.85 at a moisture content of 12%. E.G. Keruing, Apitong.
- B. Moisture content will be 13-15% when fitted to the container.

3.11 Sealing

- 1. Each perimeter of the floor;
- 2. All the overlapped joints of inside;
- 3. All the holes for bolts and nuts;
- 4. Three sides of CSC plate and ventilators;
- 5. Between door gasket and door panel at 150 mm above lower gasket;
- 6. Details refer to the application of sealant drawing SMGT-1001-DD.

Note: The application of interior sealant will be put on after water testing.

Sealant Materials : a. Chloroprene or waterborne sealant (Cargo contact area)
b. Butyl (Hidden parts)

3.12 Special Features

3.12.1 Shoring Slots: 60x40 MM slots are provided for on each of the rear corner posts so that a 2" thick batten can be secured to give protection against shifting cargo.

3.12.2 Lashing Rings and Lashing Bars

- 1) Lashing rings are welded to each bottom and top side rail at corresponding recessed area of side wall.
Lashing ring Qty. / each bottom or top side rail : 5 pcs , total : 20 pcs.
- 2) Lashing bars are welded on each front & rear corner post slot.
Lashing bars Qty. / each front & rear corner post : 2 pcs, total : 8 pcs.
- 3) Capabilities of pull load of every lashing point are as following:
Lashing rings on the side rails : 1,500 kg / each
Lashing bars on the corner posts : 1,000 kg / each
- 4) Treatment of lashing ring / bar: Electro zinc plated

3.12.3 The 3d locking devices of front door must be secured with bolts of M10X45 and nuts by welding between the bolt and nut at the hole of the handles.

Note:

- 1) This file is strictly confidential and privileged. It is intended only for the use of the intended recipient.
- 2) If you are not the intended recipient, any part of this file should not be copied, forwarded or used for any purpose or disclosed to any person without the permission of factory.

3.12.4 Two piece of connecting panel which paint with interior top coat is installed on the horizontal door members of the front door by bolts and nuts to fix two leaves.

3.12.5 Ventilators – Two (2) ventilators should be small type fabricated from A.B.S. resin by injection molding process. They will be secured to the panel recess near right corner post of both side walls, by means of three (3) Aluminum Huck bolts.

3.12.6 Customs Seal Provision

Customs seal provision are made on locking handle and retainer in accordance with TIR requirements.

4. SURFACE PROTECTION

4.1 Surface Preparation

All steel components, prior to forming, will be shot-blasted to a SA 2.5 standard surface by means of an automatic centrifugal shot surface cleaning machine. A weld-able primer compatible to the paint system will be applied immediately to a thickness of 10 micron to preserve the surface integrity during the assembly process. After the container is assembled it is shot-blasted again manually to clean all the welds and any other area that was contaminated during the assembly process. Slags and spatters are removed by means of grinding or needle hammers.

4.2 Paint

The zinc content of zinc rich primer shall be no less than 65% measured by weight of solid.

Exterior:

Apply one coat of zinc rich primer to 25 mic. DFT.

Apply one coat of epoxy primer to 40 mic. DFT.

Apply one coat of Acrylic top coat to 40 mic. DFT.

Total 105 mic. DFT.

Interior: GREY (RAL 7035)

Apply one coat of zinc rich primer to 25 mic. DFT.

Apply one coat of epoxy top coat to 50 mic. DFT.

Total 75 mic. DFT.

4.3 Undercoating

The whole underside will be coated with 25 mic. of zinc rich primer and 200 mic. of Waxy or Bituminous undercoating.

Total 225 mic. DFT.

5. MARKING

5.1 Lettering

The container will be marked in accordance with ISO requirements, owner's specifications, and other regulatory authorities.

Note:

1) This file is strictly confidential and privileged. It is intended only for the use of the intended recipient.

2) If you are not the intended recipient, any part of this file should not be copied, forwarded or used for any purpose or disclosed to any person without the permission of factory.

5.2 Materials

The decals are of a self adhesive type and are warranted for seven (7) years against normal wear and tear. All data plates will be stainless steel and secured by stainless steel rivets (stainless rivet and steel shaft) and sealed with sealant.

5.3 Plating and Stamping

5.3.1 Stamped the manufacturer's serial number in 10mm(13/32") high digits on the top face of the right hand lower rear corner fitting and the owner's code & number in same high digits on the left hand rear corner fitting.

5.3.2 Chemically etched stainless steel plates (Consolidated data plate i.e. TIR, CSC, TCT) will be permanently riveted with stainless steel blind rivets and sealant will be applied around these plates.

6. TESTING AND INSPECTION

6.1 Materials and Parts Inspection

All materials and parts are inspected by the manufacturer's Quality Control department to ensure they are up to the specification called for in the design.

6.2 Production Line Quality Control

All containers are manufactured under effective quality control procedures to meet the specified standards. All dimensions are checked and smooth operation of the doors are ensured after each container's completion. A light and watertight test is conducted on all containers.

One in every 200 of containers shall be tested for following items:

- 1) Stacking test.
- 2) Lifting from top corner fitting test.
- 3) Lifting from bottom corner fitting test.
- 4) Floor test.

Quality control personnel independent of the production dept. will be inspecting on all phases of the production as well as ad hoc inspections by the classification society's surveyor and buyer's representatives to assure the quality of the container.

7. WARRANTY

7.1 Warranty

The Warranty period will commence the day after the certification is issued by the classification society.

7.2 Paint Warranty

The application of paint will be warranted against corrosion and paint failure for a period of five (5) years. The Warranty is for all faults affecting more than 10% of the painted surfaces and will assure partial or total re-painting of the containers. Normal wear/tear, or corrosion caused by acid, alkali or results of damages by abrasion, impact or accident are excluded.

Note: Corrosion is defined as rusting which exceeds RE3 (European scale of degree of rusting) on at least ten (10) percent of the total container surface coated with the concerned coating system.

Note:

- 1) This file is strictly confidential and privileged. It is intended only for the use of the intended recipient.
- 2) If you are not the intended recipient, any part of this file should not be copied, forwarded or used for any purpose or disclosed to any person without the permission of factory.

7.3 Other Warranty

This container will be warranted against any defects or omissions in constructions, workmanship and materials for a period of one (1) year. In the event of defects, FACTORY will replace, correct or install to make the container satisfactory to this specification and its intended service at FACTORY's expense. Any damages caused by mis-handling, mis-securing, mis-loading, impact and any natures of accidents are excluded.

Note:

- 1) This file is strictly confidential and privileged. It is intended only for the use of the intended recipient.
- 2) If you are not the intended recipient, any part of this file should not be copied, forwarded or used for any purpose or disclosed to any person without the permission of factory.

APPENDIX A

Material list for main steel parts:

YP = YIELD POINT (KG/MM²)

E = ELONGATION %

TS = TENSILE STRENGTH (KG/MM²)

REAR CORNER POST-OUTER)	JIS: SPA-H OR EQUIVALENT
DOOR PANEL)	YP=35 TS=49 E=22
DOOR HEADER)	
DOOR RAIL)	
DOOR EDGE MEMBER)	
DOOR SILL)	
SIDE PANEL)	
TOP SIDE RAIL)	
BOTTOM SIDE RAIL)	
ROOF PANEL)	
CROSSMEMBER)	
REINFORCEMENT PLATE)	
FORK LIFT POCKET)	
FLOOR CENTRAL RAIL)	
DOOR SEAL RETAINER)	ABS
HINGE PIN)	STAINLESS STEEL
CONE DAMAGE PROTECTOR)	JIS: SS41 HOT ROLLED SHAPED STEEL YP=25 TS=41 E=21
REAR CORNER POST-INNER)	JIS: SM50YA HOT-ROLLED HI-TENSILE SHAPED STEEL YP=37 TS=50 E=15 OR SS50 HOT-ROLLED HI-TENSILE SHAPED STEEL YP=29 TS=50 E=19
LOCKING BAR)	JIS: STK41 YP=23 TS=41 E=23
CORNER CASTING)	JIS: SCW49 MOD. WELDABLE CASTING YP=28 TS=49 E=20
DOOR HINGE)	JIS: S25C FORGING STEEL YP=28 TS=46 E=20
DOOR LOCKING CAM AND KEEPER)	JIS: S20C FORGING STEEL YP=25 TS=42 E=19

Note:

- 1) This file is strictly confidential and privileged. It is intended only for the use of the intended recipient.
- 2) If you are not the intended recipient, any part of this file should not be copied, forwarded or used for any purpose or disclosed to any person without the permission of factory.

APPENDIX B

PROTOTYPE TESTING

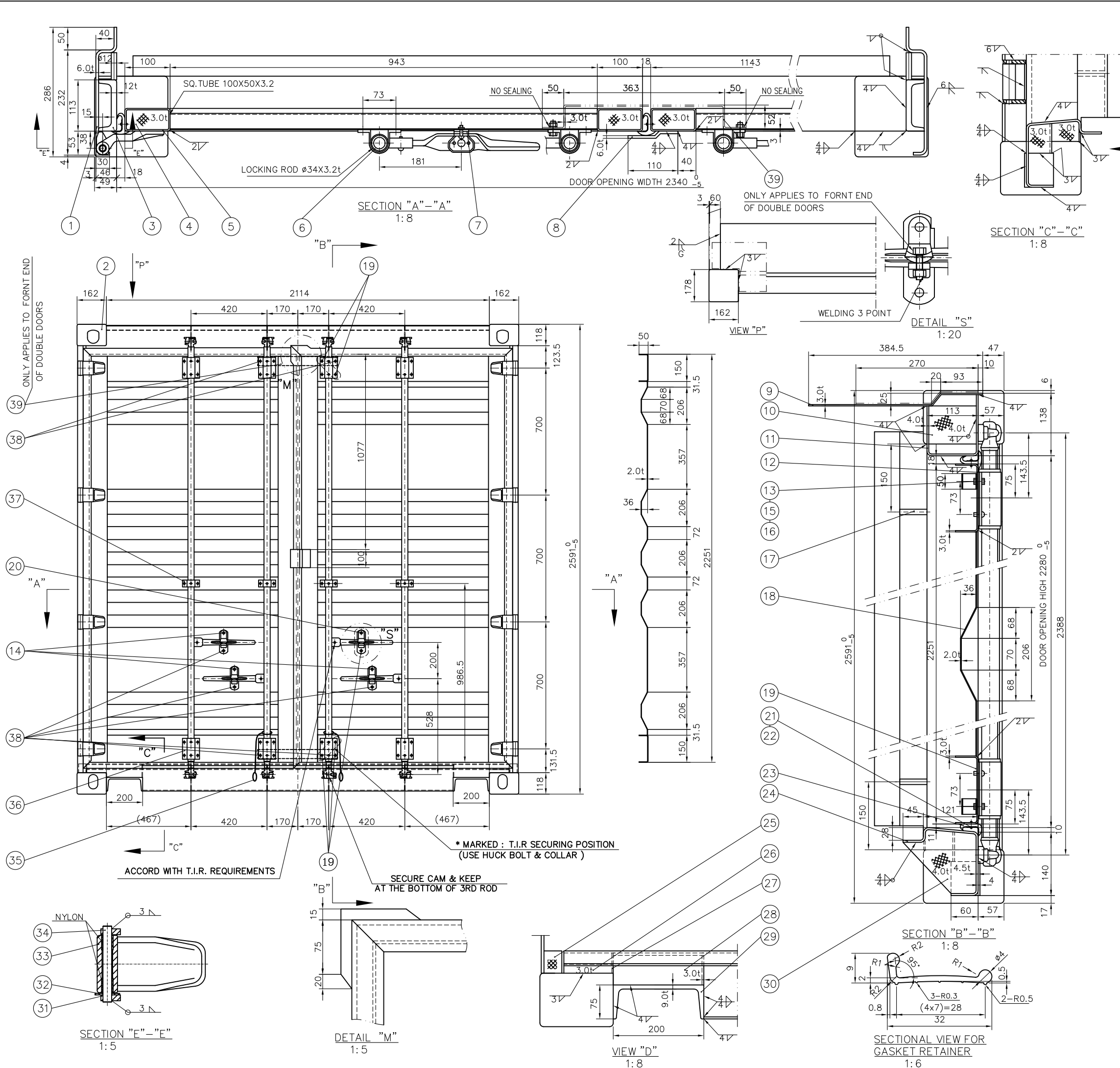
The prototype container to be manufactured in accordance with this specification will be tested by manufacturer under the supervision of classification society.

Note: R: Max Gross Weight P: Max Payload T: Tare Weight

	<u>Test items & loads</u>	<u>Test methods</u>
1)	Stacking Internal load : 1.8R-T Test load: 97,200 kg/post	Hydraulic cylinder load will be applied to each corner post through top corner fittings. Offset: 25.4 mm lateral 38.0 mm longitudinal
2)	Lifting (from top corner fittings) Internal load : 2R-T	Lifting vertically. Time duration : 5 minutes
3)	Lifting (from bottom corner fittings) Internal load : 2R-T	Lifting 45 degree to the horizontal. Time duration : 5 minutes
4)	Lifting (for forklift pockets) Internal load : 1.6R-T	Lifting by horizontal bars. Bar length : 1,828mm Bar width : 200mm
5)	Restraint (longitudinal) Internal load : R-T Test load : 2R	Hydraulic cylinder load will be applied to the bottom side rails.
6)	Floor strength Test load : 7,260 kgs	Use of a special truck. Total contact area: 284 sq. cm Wheel width : 180 mm Wheel centre : 760 mm
7)	End Wall strength Test load : 0.4(R-T)=0.4P	Compressed air bag will be used.
8)	Wall strength (side) Test load : 0.6(R-T)=0.6P	Compressed air bag will be used on one side only.
9)	Roof strength (weakest part) Test load : 300 kgs	Applied area will be 600x300mm longitudinal and transverse.
10)	Rigidity (transverse) Test load : 15,240 kgs	Hydraulic cylinder load will be applied to the header rail through top corner fittings.
11)	Rigidity (longitudinal) Test load : 7,620 kgs	Hydraulic cylinder load will be applied to the top side rail through top corner fitting on one side only. Two times for pulling and pushing.
12)	Weatherproofness	Inside dia. of nozzle : 12.5mm Distance : 1.5 m Speed : 100 mm/sec. Pressure : 1 kg/sq. cm

Note:

- 1) This file is strictly confidential and privileged. It is intended only for the use of the intended recipient.
- 2) If you are not the intended recipient, any part of this file should not be copied, forwarded or used for any purpose or disclosed to any person without the permission of factory.



NO	DESCRIPTION	DWG NO.	MT'L	QTY
39	SOLID BAR	R300130010	SPA-H	2
38	BOLT	M10 x 25	SS41(H.D.G.)	7
37	PACKING-BRACKET SMALL	R371235011	E.P.D.M	4
36	PACKING-BRACKET LARGE	R361210011	E.P.D.M	8
35	DOOR HOLDER	R051760011	NYLON	2
34	HINGE PIN	R3405A2011	STAINLESS STEEL	8
33	HINGE	R330700011	S25C(E.Z.P.)	8
32	HINGE WASHER	R051012011	STAINLESS STEEL	8
31	HINGE LUG	R310280011	SS41(E.Z.P.)	16
30	DOOR SILL STIFFENER	R300140010	SPA-H	4
29	REAR CONE DAMAGE PROTECTOR	R290290020	SS41	2
28	REAR C.D.P.COVER PLATE	R280130010	SPA-H	2
27	REAR BOTTOM CORNER SUPPORT	R270130010	SPA-H	2
26	REAR BOTTOM CORNER SUPPORT	R260130010	SPA-H	2
25	BOTTOM CORNER SPACER	R250160010	SPA-H	2
24	DOOR SILL	R240145010	SPA-H	1
23	DOOR GASKET ASS'Y	R231200011	E.P.D.M	1 SET
22	BLIND RIVET GB/T 12618	ϕ 4.8 x 15	STAINLESS STEEL (STEEL SHAFT)	87
21	GASKET RETAINER ASS'Y	A210510011	ABS	1 SET
20	HUCK BOLT & COLLAR	H10X16	S35C AND S10C(H.D.G.)	1
19	HUCK BOLT & COLLAR	H10X8	S35C AND S10C(H.D.G.)	5
18	DOOR PANEL	R180120010	SPA-H	2
17	REAR LASHING BAR	R1702A2010	SS41(E.Z.P.)	4
16	SPRING WASHER GB/T93	A10	SWRH32(E.Z.P.)	42
15	NUT GB/T6170	M10	SS41(H.D.G.)	42
14	BOLT	M10 x 30	SS41(H.D.G.)	3
13	BOLT	M10 x 20	SS41(H.D.G.)	32
12	DOOR HORIZONTAL RAIL	R120130010	SPA-H	4
11	DOOR HEADER LOWER	R110140010	SPA-H	1
10	DOOR HEADER STIFFENER	R100140010	SPA-H	4
9	DOOR HEADER UPPER	R090130010	SPA-H	1
8	TIR PLATE	R080160010	SPA-H	1
7	PACKING-HANDLE RETAINER	R071235011	E.P.D.M	4
6	LOCKING DEVICE ASS'Y	R050632011	H.D.G.	1 SET
5	DOOR VERTICAL RAIL	R050132010	SPA-H	4
4	D.E.M BLOCKING PLATE	R040130010	SPA-H	8
3	REAR CORNER POST INNER	R0304A2010	SM50YA	2
2	REAR CORNER CASTING	F010800011	SCW49	1 SET
1	REAR CORNER POST OUTER	R010160010	SPA-H	2
NO	DESCRIPTION	DWG NO.	MT'L	QTY

TITLE:20'DD FRONT ASSEMBLY& REAR ASSEMBLY

OWNED BY: SCALE: 1:20 SIZE: A3

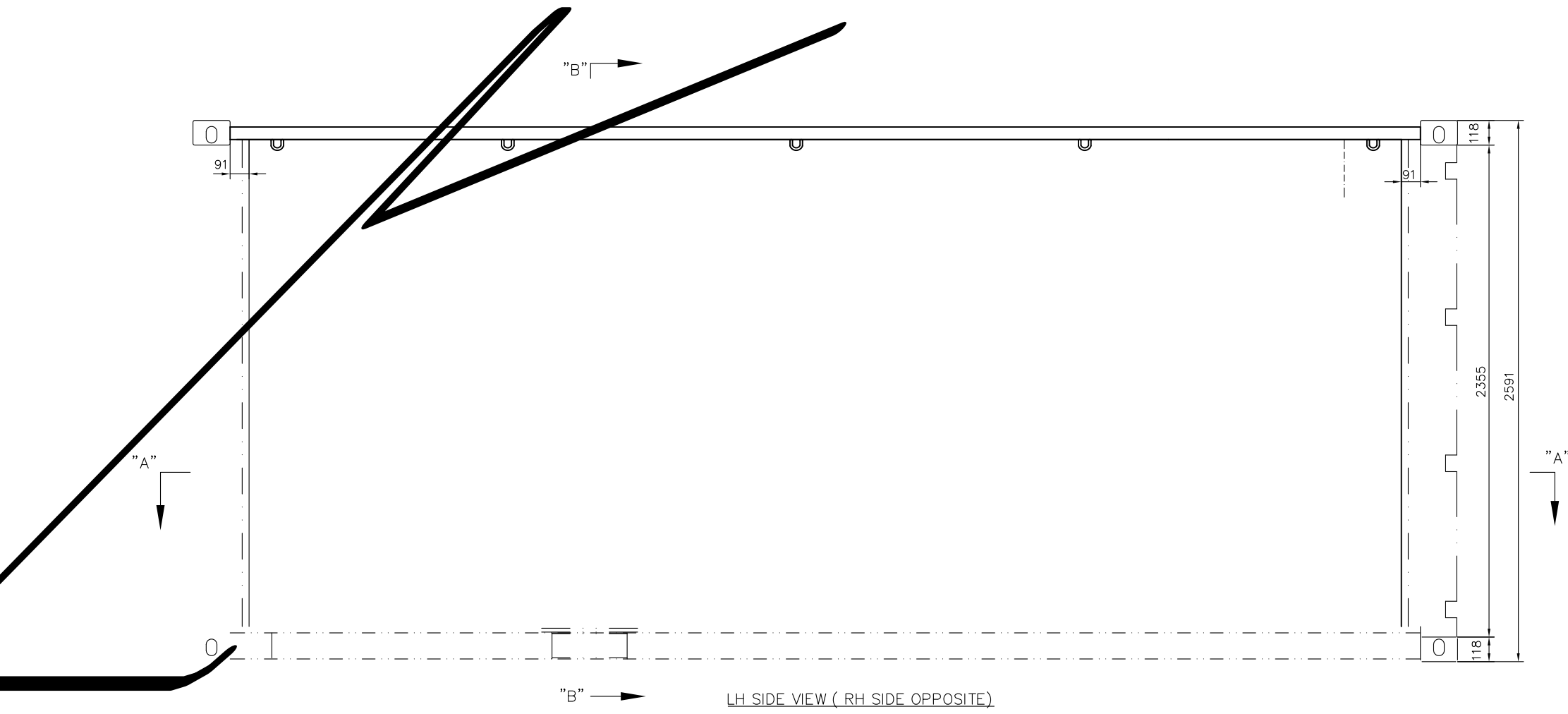
DESIGNED BY: WEIGHT: KG. QTY.:

CHECKED BY: DWG No.: 4000-DD

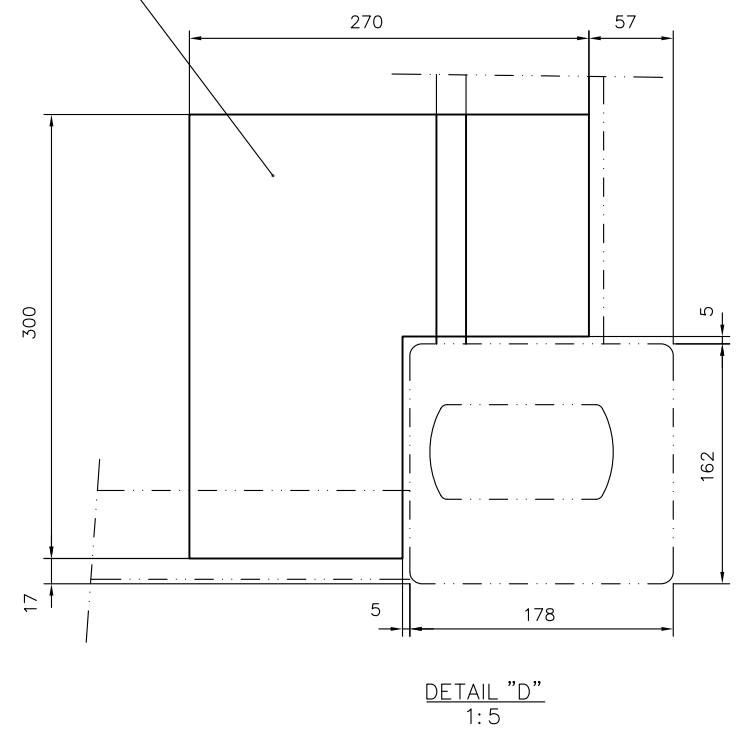
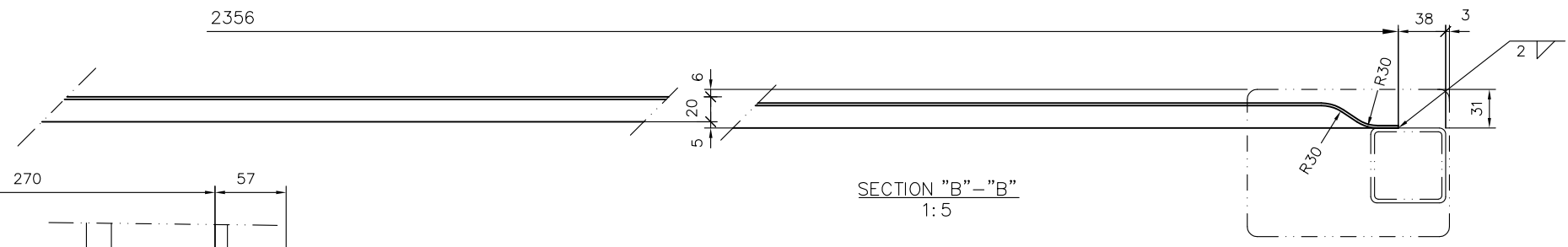
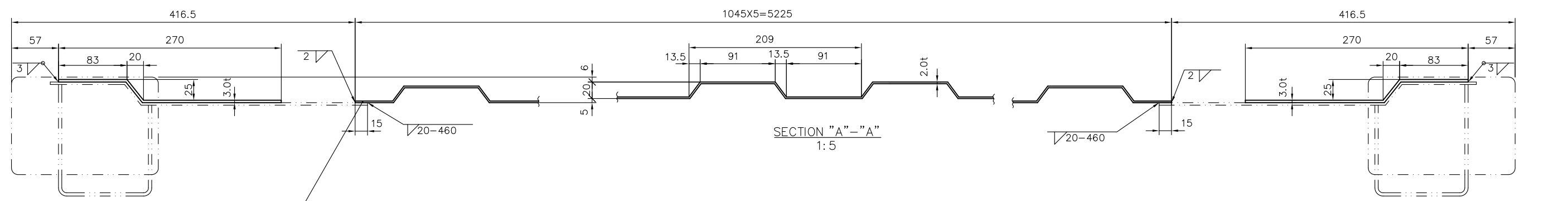
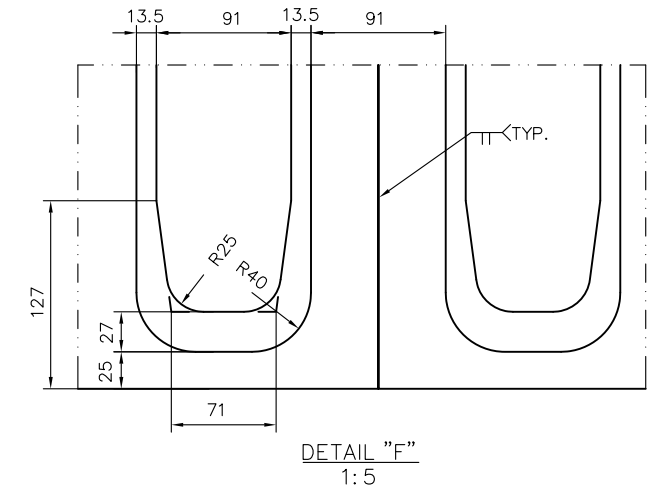
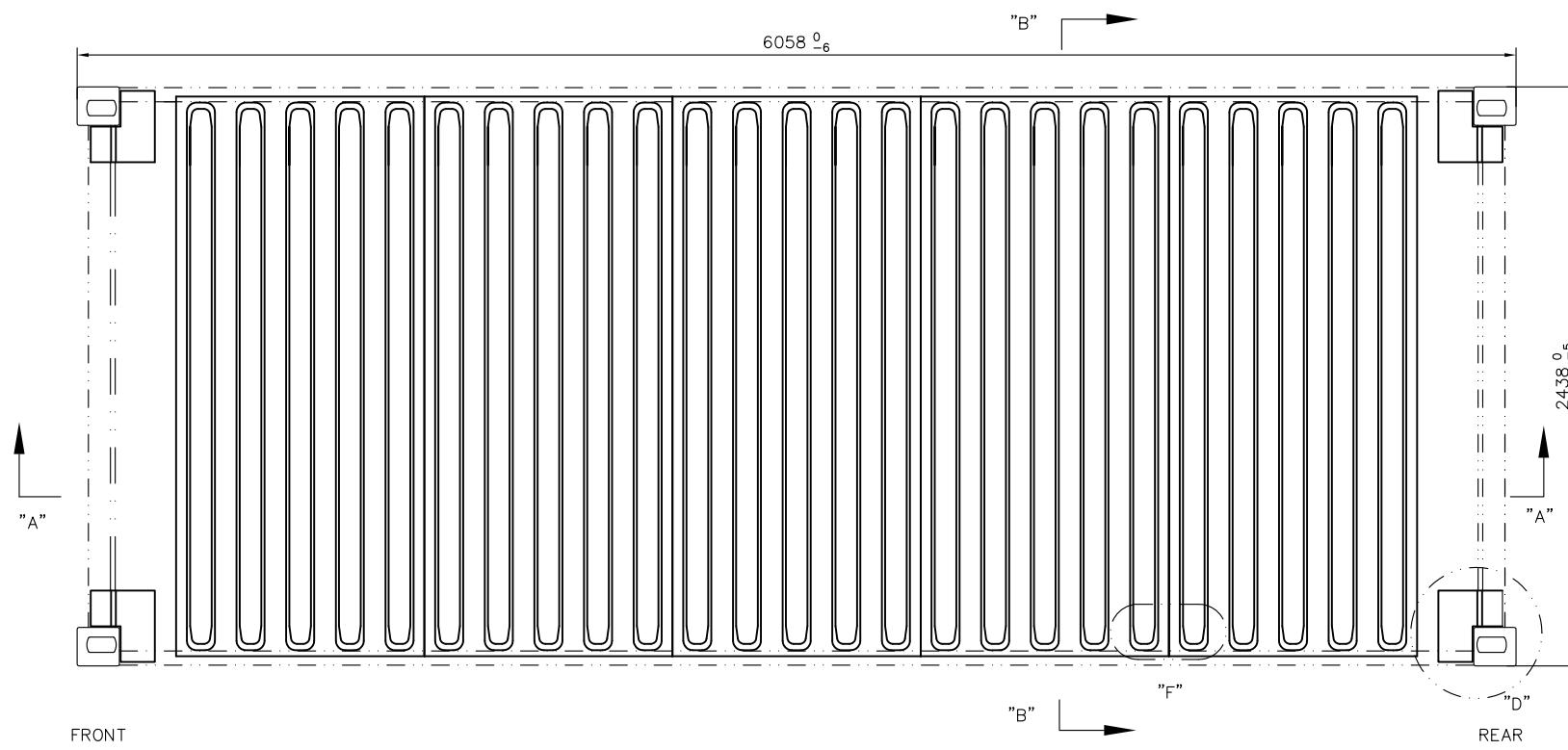
APPROVED BY:

SHEET 1 OF 1 SHEETS ISSUE: 13A-00

THIS DRAWING AND ALL COPIES THEREOF ARE CONFIDENTIAL AND THE PROPERTY BELONGS TO FACTORY. ANY PART OF THIS DRAWING SHALL NOT BE COPIED,REPRODUCED,DISCLOSED OR DISTRIBUTED TO A PARTY WITHOUT PRIOR WRITTEN APPROVAL FROM FACTORY.



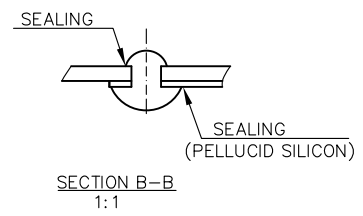
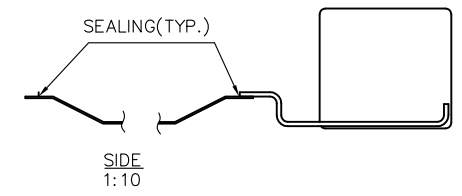
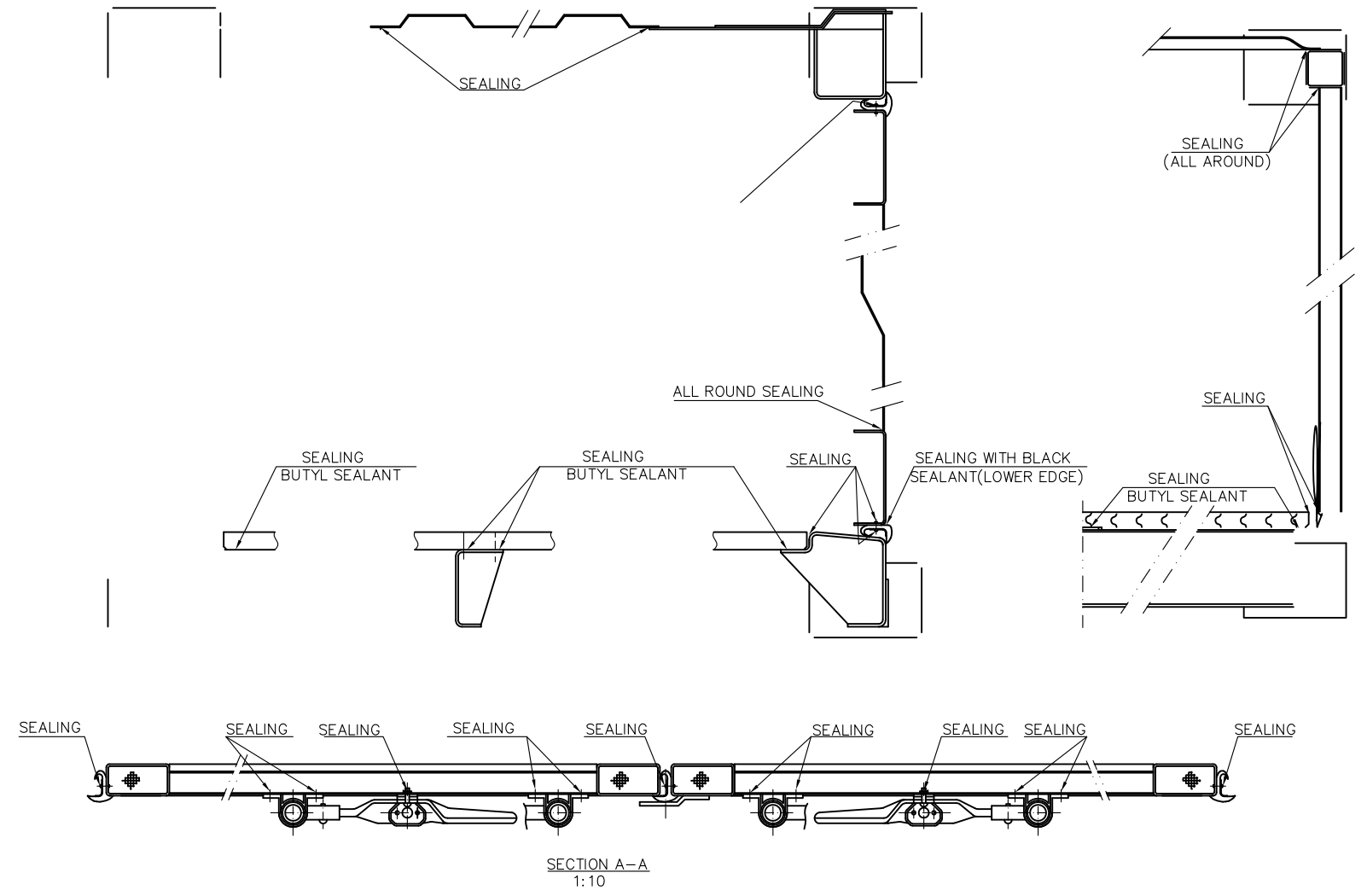
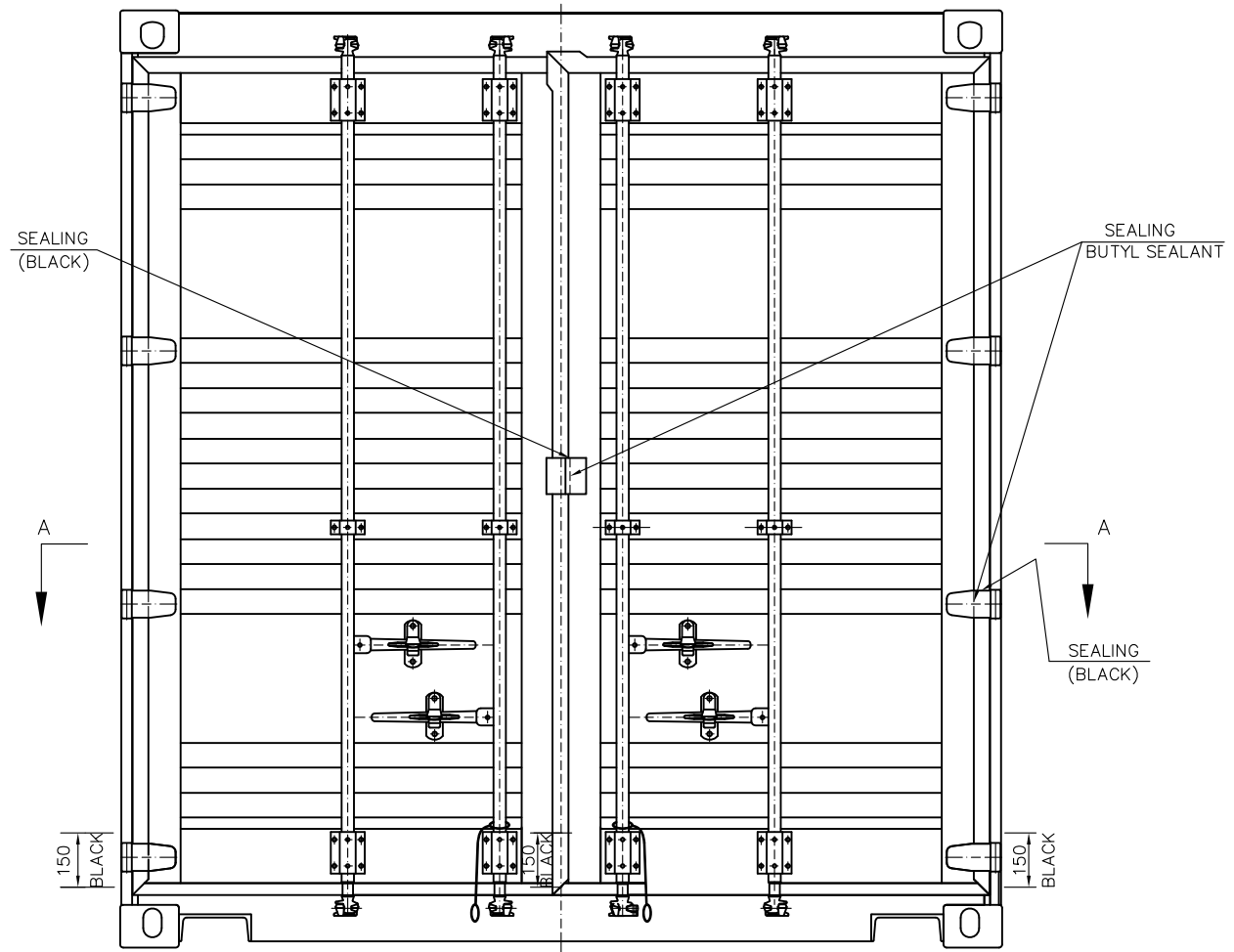
LH SIDE VIEW (RH SIDE OPPOSITE)

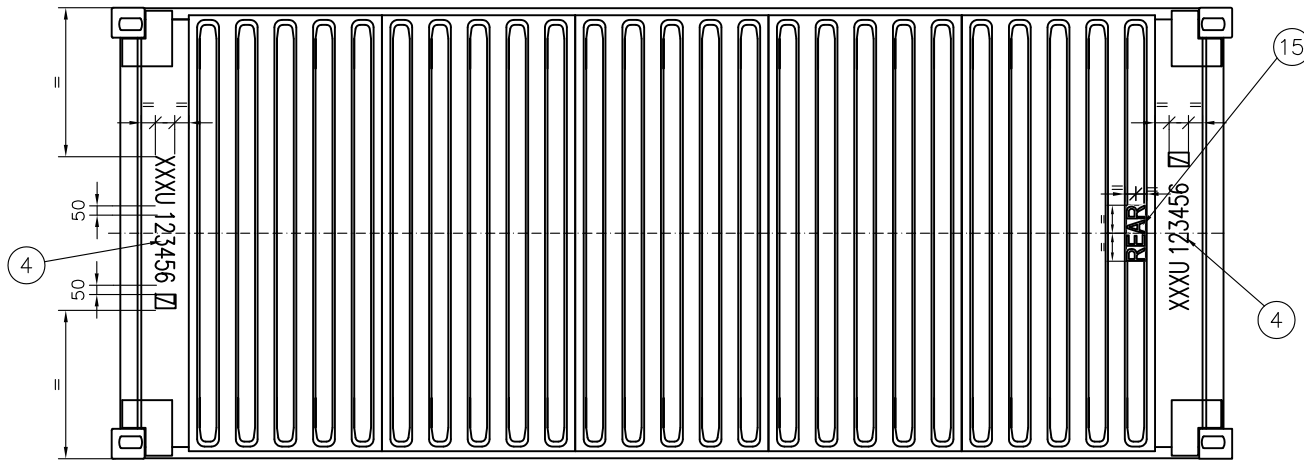
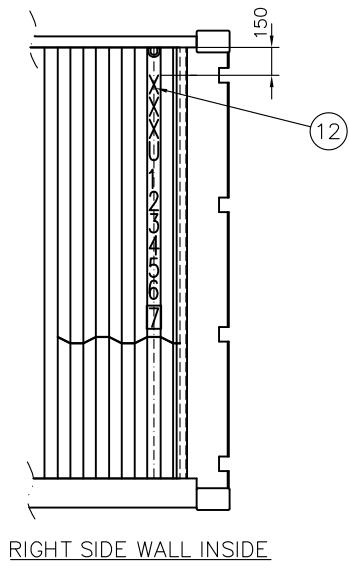
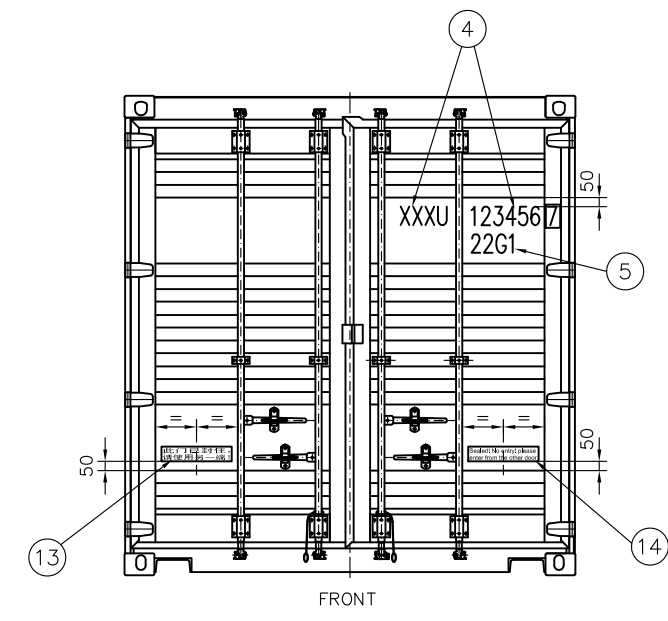
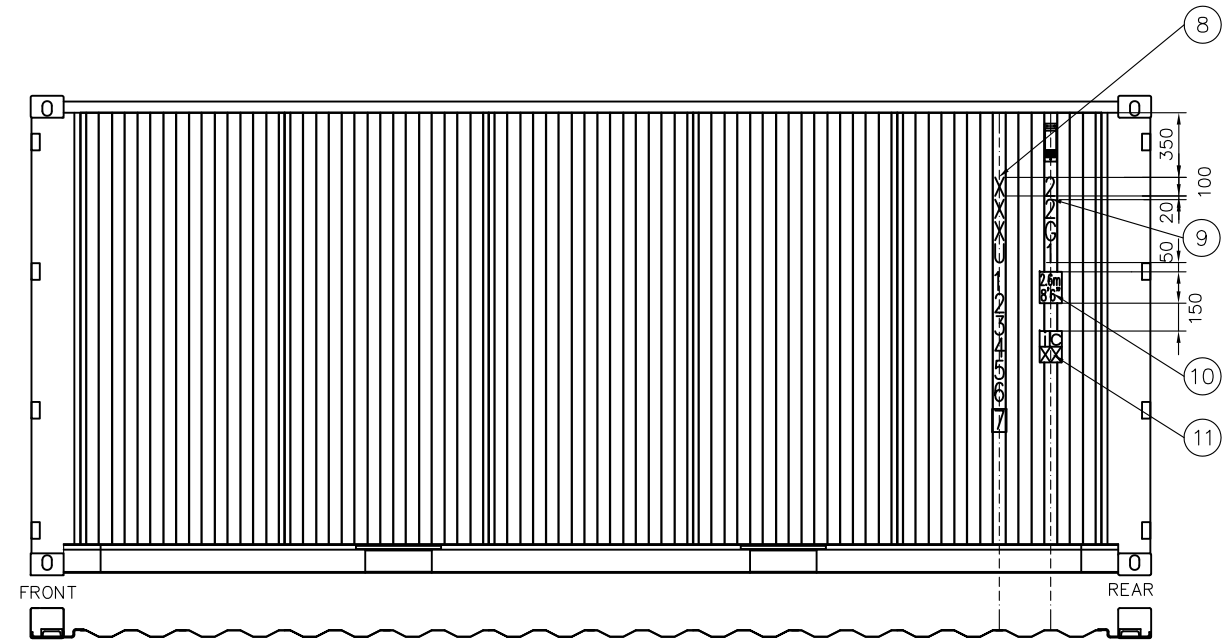
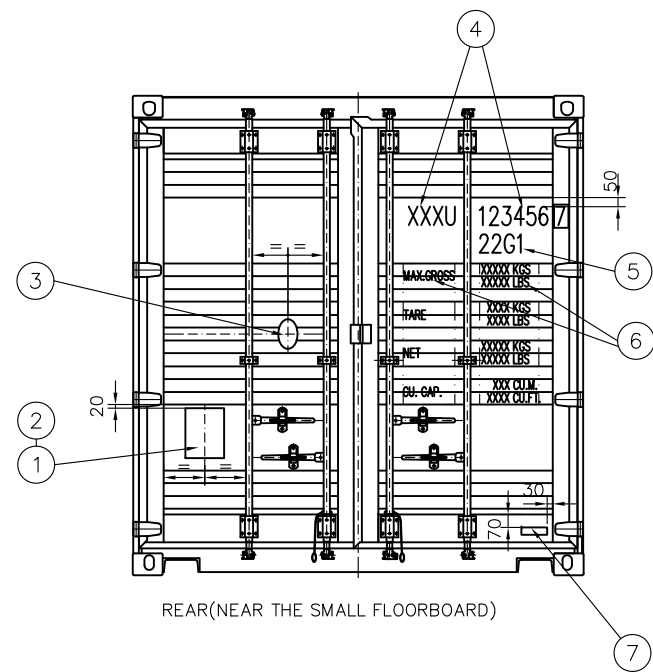


NO	DESCRIPTION	DWG NO.	MT'L	QTY.
2	REINFORCEMENT PLATE	T020130010	SPA-H	4
1	ROOF PANEL	T010120010	SPA-H	5

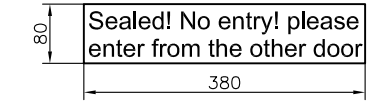
TITLE: 20'DD ROOF ASSEMBLY			
OWNED BY:	SCALE: 1:30	SIZE: A3	
DESIGNED BY:	WEIGHT: KG.	QTY.:	
CHECKED BY:	DWG No.: 6000-DD		
APPROVED BY:			
SHEET 1 OF 1 SHEETS	ISSUE:	13A-00	

THIS DRAWING AND ALL COPIES THEREOF ARE CONFIDENTIAL AND THE PROPERTY BELONGS TO FACTORY. ANY PART OF THIS DRAWING SHALL NOT BE COPIED, REPRODUCED, DISCLOSED OR DISTRIBUTED TO A PARTY WITHOUT PRIOR WRITTEN APPROVAL FROM FACTORY.





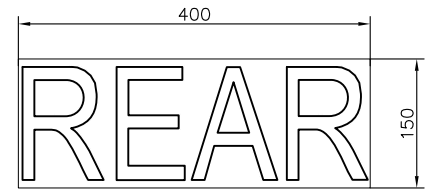
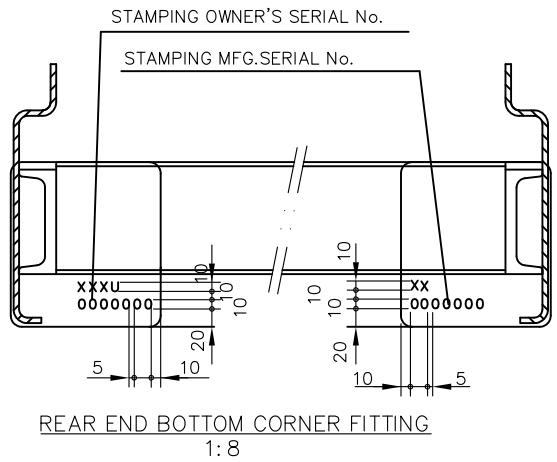
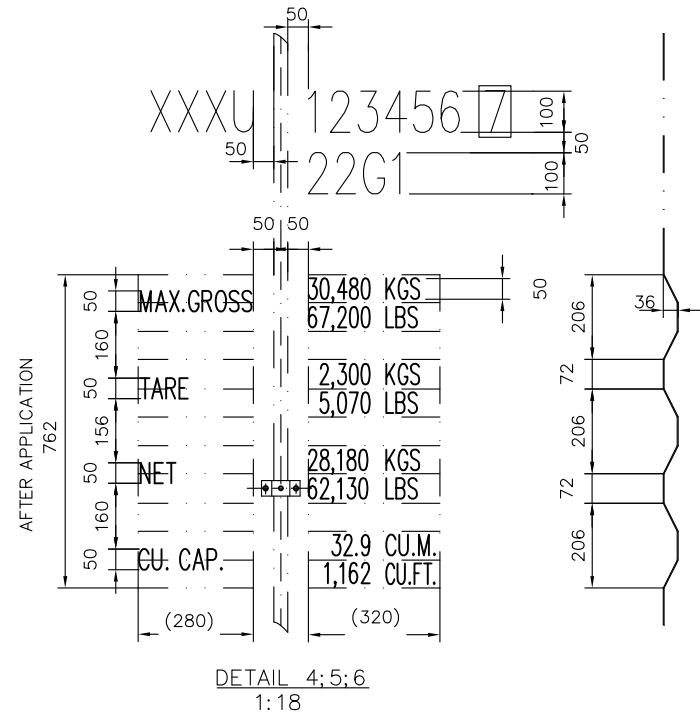
DETAIL 13
1:20



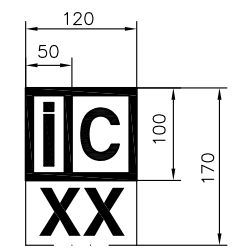
DETAIL 14
1:20

REMARK

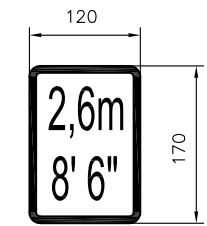
1. DECAL WARRANTY: 7 YEARS



DETAIL 15
1:8



DETAIL 11
1:8



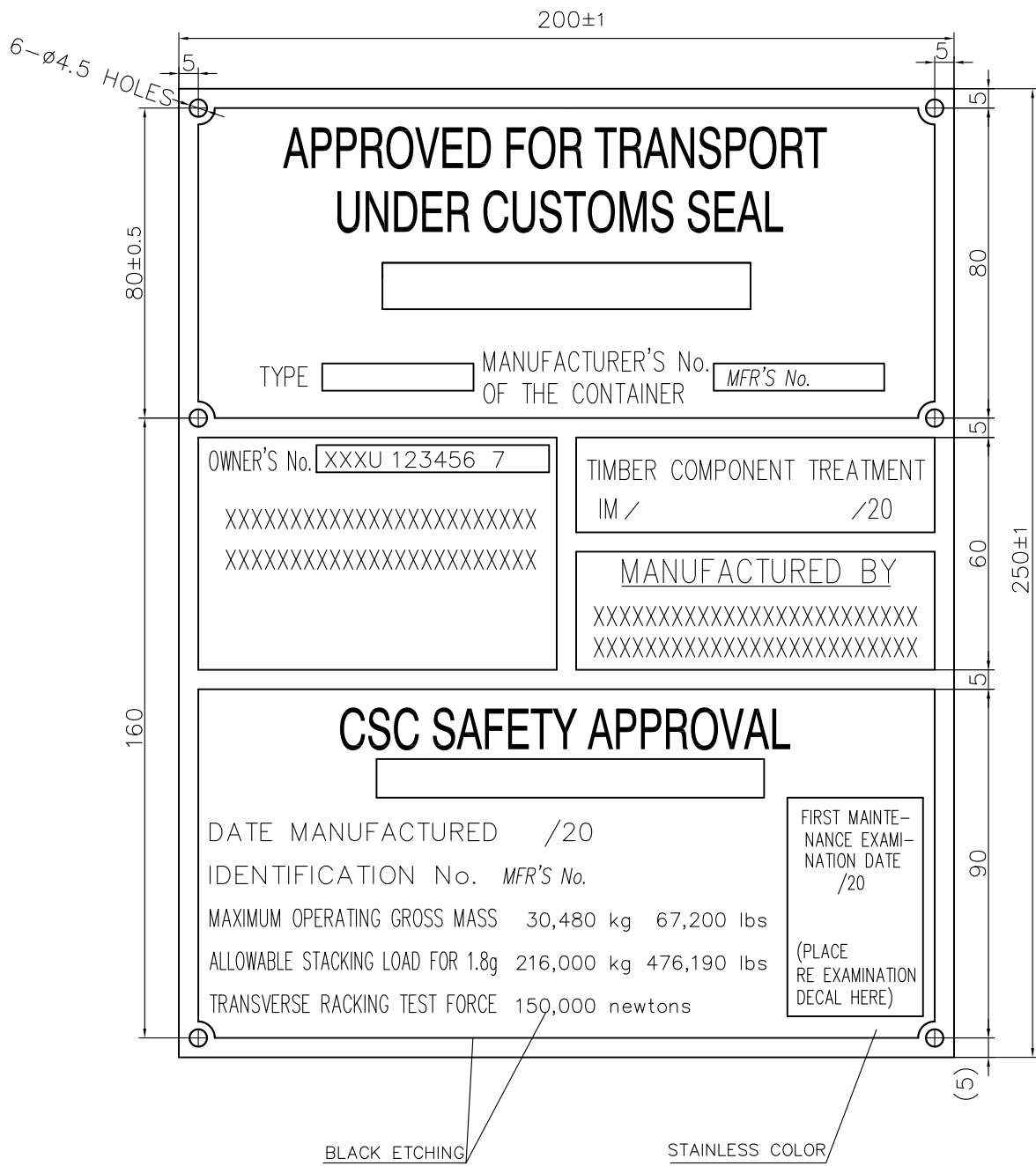
DETAIL 10
1:8

NO	DESCRIPTION	DWG NO.	MT'L	QTY.
15	REAR END MARK		RED ON YELLOW	1
14	ATTENTION DECAL(ENG)		BLACK ON YELLOW	1
13	ATTENTION DECAL(CHS)		BLACK ON YELLOW	1
12	OWNER'S CODE SERIAL NO.		KISSCUT	1
11	UIC MARK		KISSCUT	2
10	HEIGHT MARK		BLACK ON YELLOW	2
9	SIZE TYPE CODE		KISSCUT	2
8	OWNER'S CODE SERIAL NO.		KISSCUT	3
7	MANUFACTURE LABEL.		DECAL	1
6	WEIGHT & CAPACITY MARK		KISSCUT	1
5	SIZE TYPE CODE		KISSCUT	1
4	OWNER'S CODE SERIAL NO.		KISSCUT	3
3	CLASS EMBLEM		DECAL	1
2	BLIND RIVET GB/T 12618	ø4.0X8	STAINLESS STEEL(STEEL SHAFT)	6
1	CONSOLIDATED DATA PLATE	7001-DD	STAINLESS STEEL	1

TITLE: 20'DD ARRANGEMENT OF MARKING

OWNED BY:	SCALE: 1:40	SIZE: A3
DESIGNED BY:	WEIGHT: KG.	QTY.:
CHECKED BY:	DWG No.: 7000-DD	
APPROVED BY:		
SHEET 1 OF 1 SHEETS	ISSUE:	13A-00

THIS DRAWING AND ALL COPIES THEREOF ARE CONFIDENTIAL AND THE PROPERTY BELONGS TO FACTORY. ANY PART OF THIS DRAWING SHALL NOT BE COPIED, REPRODUCED, DISCLOSED OR DISTRIBUTED TO A PARTY WITHOUT PRIOR WRITTEN APPROVAL FROM FACTORY.



NOTE:
 MT'L: STAINLESS STEEL(t0.8)

TITLE: 20'DD CONSOLIDATED PLATE			
OWNED BY:	SCALE: 1:1	SIZE: A4	
DESIGNED BY:	WEIGHT: KG.	QTY.:	
CHECKED BY:	DWG No.: 7001-DD		
APPROVED BY:			
SHEET 1 OF 1 SHEETS	ISSUE:	14A-00	
THIS DRAWING AND ALL COPIES THEREOF ARE CONFIDENTIAL AND THE PROPERTY BELONGS TO FACTORY. ANY PART OF THIS DRAWING SHALL NOT BE COPIED, REPRODUCED, DISCLOSED OR DISTRIBUTED TO A PARTY WITHOUT PRIOR WRITTEN APPROVAL FROM FACTORY.			