

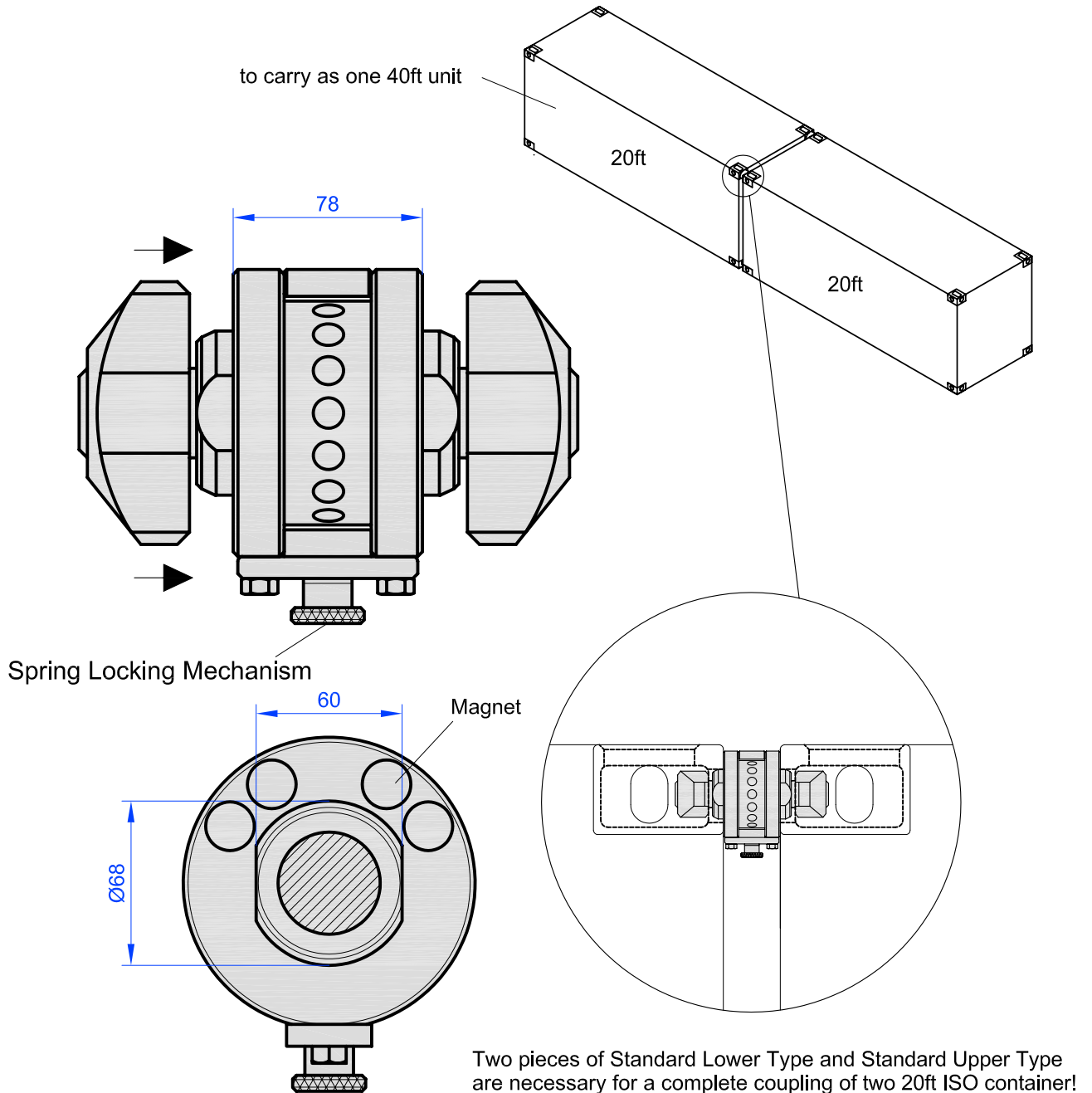
# Container-Quick-Tie<sup>®</sup>

## Standard Upper Type

The Force and Rigid Coupling System

### QT-ST-U

International Patent



NATO-No.: 3990-25-147-4099

**Material** : Heat Treatable Steel, comparable S355J2G3  
**Finish** : Hot Dip Galvanized  
**Weight** : 9,0 kg

**Min. B.L. Tension** : 550 kN  
**Min. B.L. Shear** : -  
**Min. B.L. Compression** : -

