

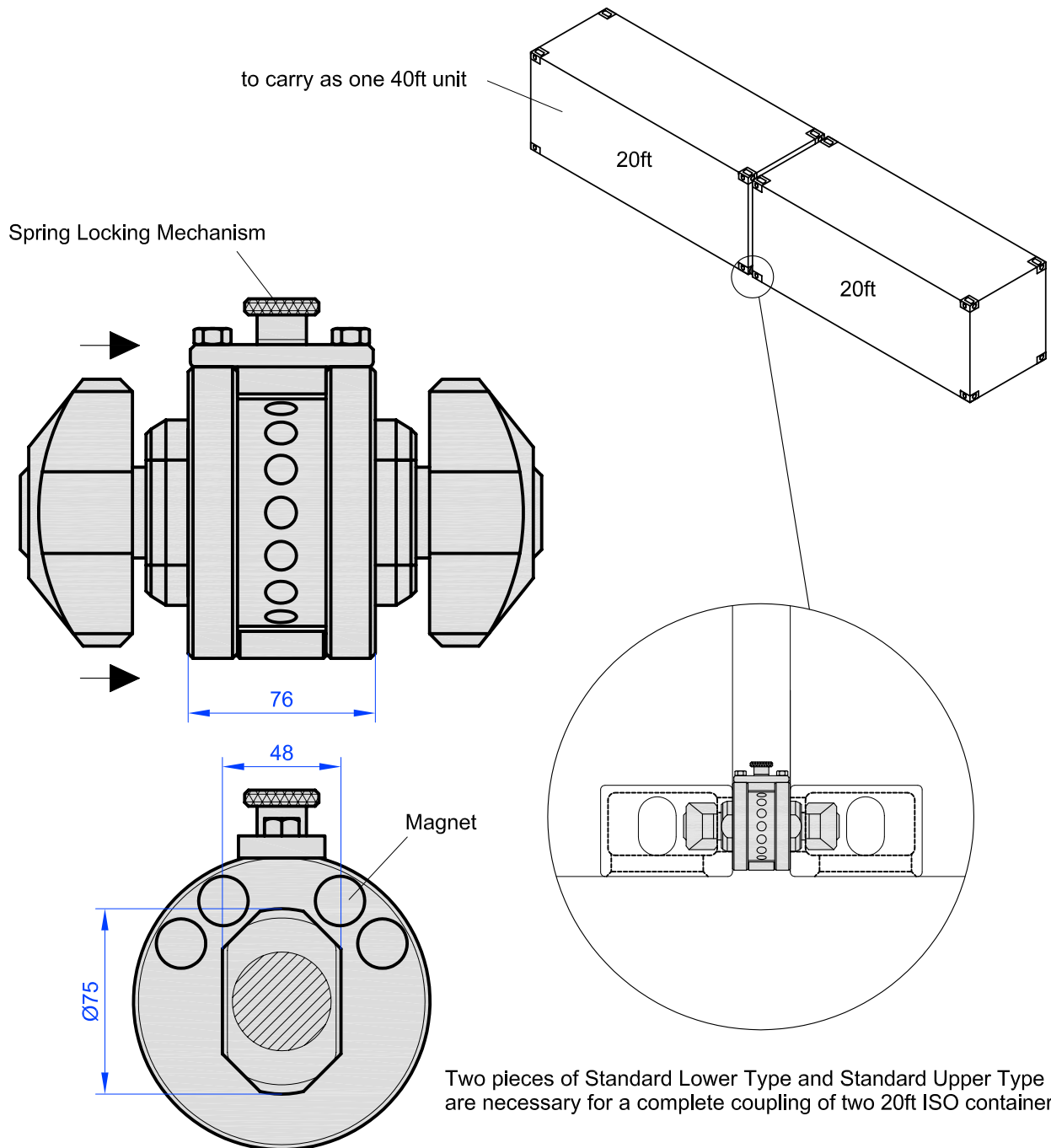
Container-Quick-Tie[®]

Standard Lower Type

The Force and Rigid Coupling System

QT-ST-L

International Patent



NATO-No.: 3990-25-147-4099

Material : Heat Treatable Steel, comparable S355J2G3
Finish : Hot Dip Galvanized
Weight : 9,0 kg

Min. B.L. Tension : 550 kN
Min. B.L. Shear : -
Min. B.L. Compression : -

